

## IPM-23 SUPER II

### 用户手册

© 2012 Honeywell International Inc.  
[www.cn.security.honeywell.com](http://www.cn.security.honeywell.com)  
 Document 800-12311 Rev. A

IPM-23 SUPER II 是 23XX SUPER 系列主机的网络扩展模块，可实现网络报警、远程控制和编程等功能。

#### 系统功能

- TCP/IP 网络报警
- 基于网络的远程控制和编程
- 支持双中心方案
- 支持固定 IP 和 DHCP

#### 参数

- AES-128bit 加密通信、更安全的网络设备
- 与 10/100BASE-T 网络兼容、具有 100M 速率
- 电压：DC 12V-15V；电流：80 mA-100 mA

#### PC 端硬件要求

- 10M/100M 自适应网卡
- 操作系统 Windows 2000 及以上

#### 系统特点

- 可在线升级
- 只支持 23XX SUPER 系列主机
- 可从主机直接获取配置
- 由主机直接供电
- 安装简便易行、兼容性高

#### IPM-23 SUPER II 正面图和背面图

图 1 正面图

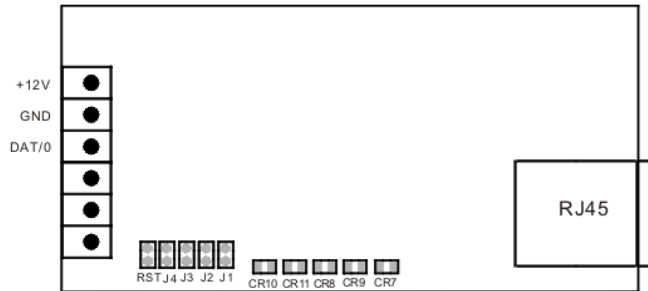
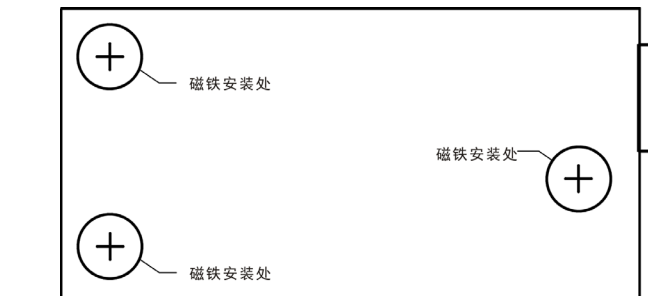
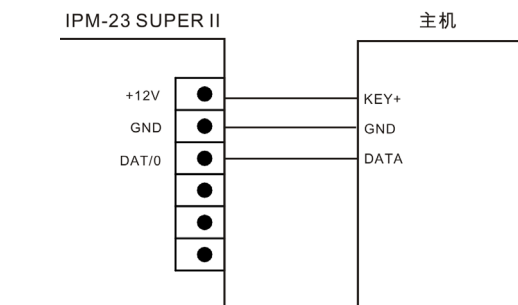


图 2 背面图



#### IPM-23 SUPER II 与 23XX SUPER 系列主机连接示意图



#### 地址配置说明

如图 1 所示，地址设置如下：

跳帽	ON
J1	使用地址为 1 的 IPM-23 SUPER II
J2	使用地址为 2 的 IPM-23 SUPER II
J3	预留
J4	预留

若 J1 和 J2 都不接跳帽，表示只使用地址为 1 的 IPM-23 SUPER II。

若 J1 和 J2 都接上跳帽，则 IPM-23 SUPER II 支持双中心，此时，SUPER 系列主机不应再接入其它网络。

IPM-23 SUPER II 上电启动后，从主机配置中获取所有网络通讯参数。

#### 指示灯说明

如图 1 所示，指示灯说明如下：

指示灯	状态	说明
CR7	绿色常亮	与报警中心 1 连接
CR8	绿色常亮	与主机连接正常
	熄灭	与主机连接异常
CR9	绿色常亮	与报警中心 2 连接
CR10	绿色闪烁	正常运行
	不闪烁	运行故障

#### DHCP 设置

若需自动获取 IP 地址，通过主机将 IPM-23 SUPER II 的自身 IP 地址设置为“0.0.0.0”。

#### 系统重启

短接 RST 跳线（见图 1）重启 IPM-23 SUPER II。

#### 装箱清单

部件名称	数量
IPM-23 SUPER II 网络扩展模块	1
用户手册	1
合格证	1

#### 常见问题与解答

问：IPM-23 SUPER II 无法正常发送报告，该怎么处理？

答：当模块无法正常发送报告时，请检查本地网络连接是否正常。若不是由网络故障引起，再检查 IPM-23 SUPER II 地址是否被更改。若 IPM-23 SUPER II 地址被更改，可重启主机。如还不能解决问题，请联系专业人员。

#### 中国 RoHS

根据信息产业部等部委颁布的《电子信息产品污染控制管理办法》及相关标准的要求，本产品的的相关信息如下：

1. 产品的环保使用期限为 10 年，保证该环保使用期限的安装及使用注意事项见产品使用手册；
2. 产品中有毒有害物质或元素的名称及含量见下表：

产品中有毒有害物质或元素的名称及含量

部件名称	有毒有害物质或元素					
	铅 (Pb)	汞 (Hg)	镉 (Cd)	六价铬 (Cr(VI))	多溴联苯 (PBB)	多溴二苯醚 (PBDE)
印刷电路板组件	X	O	O	O	O	O

O：表示该有毒有害物质在该部件所有均质材料中的含量均在 SJ/T11363-2006 标准规定的限量要求以下。  
 X：表示该有毒有害物质至少在该部件的某一均质材料中的含量超出 SJ/T11363-2006 标准规定的限量要求。

霍尼韦尔安防，您值得信赖的安防合作伙伴

**Honeywell Security**

亚太区总部

中国上海市遵义路 100 号虹桥上海城 A 座 35 楼

电话：+86 21-22196888

传真：+86 21-62370740

## IPM-23 SUPER II

### User Guide

© 2012 Honeywell International Inc.  
[www.security.honeywell.com](http://www.security.honeywell.com)  
 Document 800-12311 Rev. A

IPM-23 SUPER II is designed as an extender module for 23XX SUPER series control panel. This module features the functions of network alarming, remote control, programming and so on.

#### Functions:

- TCP/IP network alarm
- Network based remote control and programming
- Dual CMS solution
- Static IP and DHCP

#### Parameters:

- AES-128bit encrypted communication and safer network devices
- 10/100BASE-T compatible, 100M speed
- Working voltage: DC 12V-15V; Current: 80mA-100mA

#### PC Requirements:

- 10M/100M auto-adapted network card
- Operating system: Windows 2000 or later

#### Features:

- Online upgrade
- Only support 23XX SUPER series control panel
- Obtain configurations from the control panel
- Power supply by the control panel
- Easy installation and high compatibility

#### IPM-23 SUPER II Front and Rear View

Figure 1 Front View

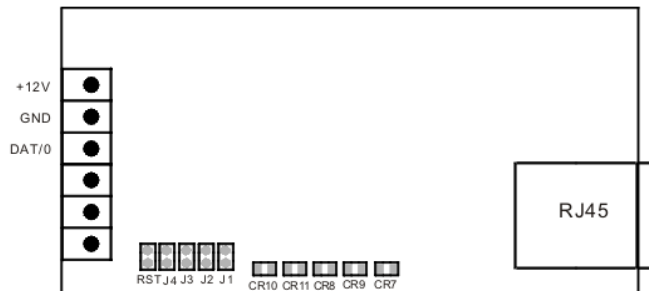
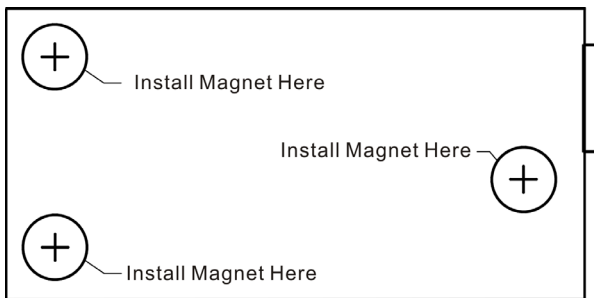
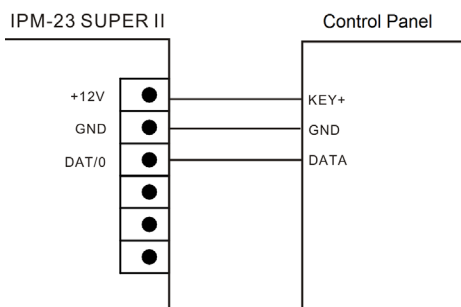


Figure 2 Rear View



#### Wiring Diagram for IPM-23 SUPER II and the 23XX SUPER control panel



#### Address Configuration

Jumper settings and address configuration (see *Figure 1* for the jumpers):

Jumper	ON
J1	IPM-23 SUPER II with address 1 is used.
J2	IPM-23 SUPER II with address 2 is used.
J3	Reserved
J4	Reserved

When J1 and J2 are both off, it indicates that only IPM-23 SUPER II with address 1 is used. When J1 and J2 are both on, the IPM-23 SUPER II with both address 1 and 2 are used. Two CMS can be connected. On this condition, no other IPM or MCM module can be installed on this control panel.

After being powered up, IPM-23 SUPER II will obtain all the communication parameters from the control panel.

#### LED Indicators

Refer to the following table for the descriptions of LED indicators (see *Figure 1*):

LED Indicators	Status	Description
CR7	Green	Connected with IP-Receiver 1.
CR8	Green	Normal connection with the control panel.
	Off	Abnormal connection with the control panel.
CR9	Green	Connected with IP-Receiver 2.
CR10	Green flashing	Run normally.
	Not flashing	Trouble

#### DHCP Settings

To obtain an IP address automatically, set the IP address of the IPM-23 SUPER II to "0.0.0.0" from the control panel.

#### System Restart

To restart the system, short the RST jumper (see *Figure 1*).

#### Shipping List

Parts	Quantity
IPM-23 SUPER II Module	1
User Guide	1
Certificate	1

#### FAQ

Q: IPM-23 SUPER II cannot send reports.

A: When IPM-23 SUPER II cannot send reports normally, check the network connection. If the network connection is normal, check whether the address of the IPM-23 SUPER II has been changed. If the address has been changed, restart the control panel. If the problem remains, contact the technicians.

**Honeywell Security, Your Partner of Choice**

**Honeywell Security**

**Honeywell Security Asia Pacific**

35F Tower A, City Center, 100 Zun Yi Road, Shanghai 200051, China

TEL : +86 21-22196888

FAX : +86 21-62370740